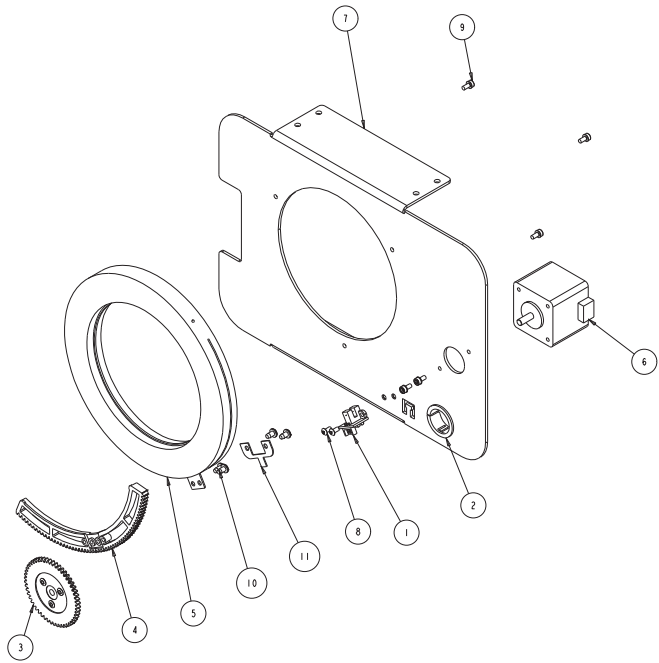


DE5021



**FOR SERVICE  
REFERENCE ONLY**

11	1	DE124	99190103	TAB, HOMING, IRIS DL3
10	4	SCREWB-19PPB0250BZ	90709123	SCREW, PHIL PAN PLASTITE 6-16 X 1/4 BZ
9	5	SCREWM3AC06BZ	91000306	SCREW, M3 SOCKET CAP 06 BZ SEMS
8	2	SCREWM3AB06BZ	91010306	SCREW, M3 BUTTON 06 BZ NYTEMP
7	1	DE105	80070491	PLATE_MOUNT IRIS DL3
6	1	MR108_02	99270076	MOTOR, STEP 2PH MET S17 15.1mm ALNICO NMB
5	1	DE405	80290012	IRIS, FULLY CLOSING DL3
4	1	DE201	99430128	GEAR, IRIS DRIVE DL3
3	1	DEA025	99430130	GEAR, ASM, IRIS DRIVE DL3
2	1	BUSHING-HEYCO-2878	90719058	BUSHING, OPEN/CLOSE 1.0 OD, .612 ID
1	1	FS709	80040022EF	BOARD,ASST X-SPOT FLAG HOMING SENSOR
ITEM NO.	QTY.	FILENAME	PART NO.	DESCRIPTION

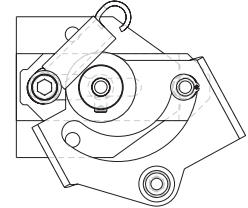
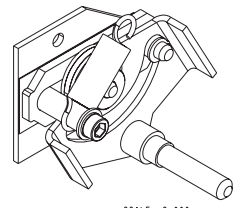
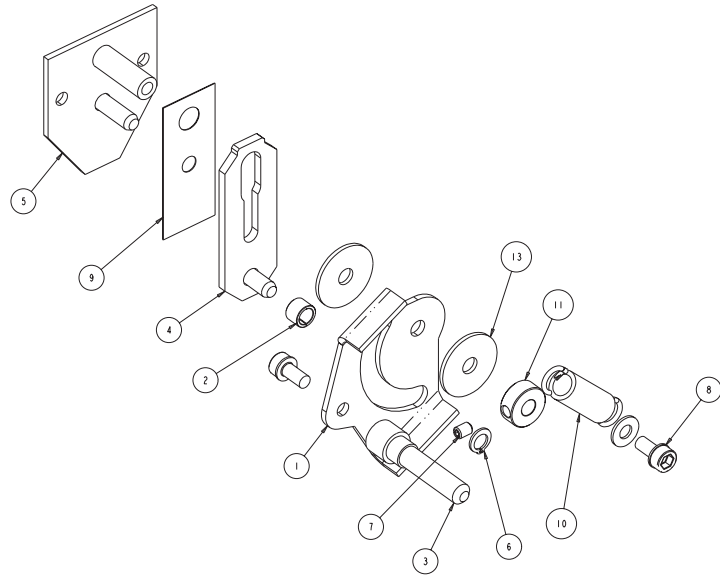
BILL OF MATERIALS

UNLESS OTHERWISE SPECIFIED	RELEASE DATE:	CE:	High End	2105 GRACY FARMS LANE AUSTIN, TEXAS 78758 (512) 836-2240 FAX (512) 832-4128 http://www.highend.com	
DIMENSIONAL TOLERANCES:	ENG:	QA:			
0 PLACE DECIMAL: ±0.38	ME:	DRW:			
1 PLACE DECIMAL: ±0.13	WEG:				
2 PLACE DECIMALS: ±0.13	ANGLES: ±0.5°				
FOR PAINTED PARTS REFER TO ENG. SPEC. MANUAL W1-0592	DESCRIPTION:	MATERIAL:	FINISH:		
ALL COMPONENTS, MATERIALS AND FINISHES TO BE HANS COMPLIANT	IRIS ASST, DL3		NA		
MIN. HOLE:	INTERPRET DIMENSIONS PER	SI	PART NO.	DRAWING NO.	REV.
FLATNESS:	ASME Y14.5M-1994	A1	INTERNAL	DE5021	
THICKNESS:	THIRD ANGLE PROJECTION		DO NOT SCALE	SCALE: 0.750	SHEET: 1 OF 1
VOLUME:	DIMENSIONS ARE IN MILLIMETERS				

**DISPLETEARY NOTICE**  
THIS DOCUMENT CONTAINS CONFIDENTIAL AND PROPRIETARY INFORMATION OF HIGH END SYSTEMS, INC., ALSO DBA LIGHTWAVE RESEARCH AND IS GIVEN TO THE RECEIVER IN CONFIDENCE. THE RECEIVER ACCEPTS AND AGREES THAT, EXCEPT AS AUTHORIZED BY HIGH END SYSTEMS, THE RECEIVER WILL NOT PERMIT THE USE OF THE DOCUMENT OR ANY COPY THEREOF OR THE INFORMATION HEREIN, WILL NOT COPY OR REPRODUCE THE DOCUMENT, WILL NOT DISCLOSE TO OTHERS EITHER THE DOCUMENT OR THE INFORMATION THEREIN, AND WILL UPON COMPLETION OF THE NEED TO RETAIN THE DOCUMENT, OR UPON DEMAND, RETURN THE DOCUMENT WITHOUT RETAINING ANY OF THE INFORMATION CONTAINED THEREIN IN ANY FORM WHATSOEVER.

CATA031

REV.	DESCRIPTION	DATE	ENG	ECO #	APPR
3	SCREWS WAS: M4 X 10, NOW M4 X 08 LG	070CT04	LR		



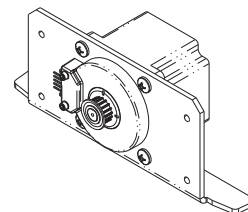
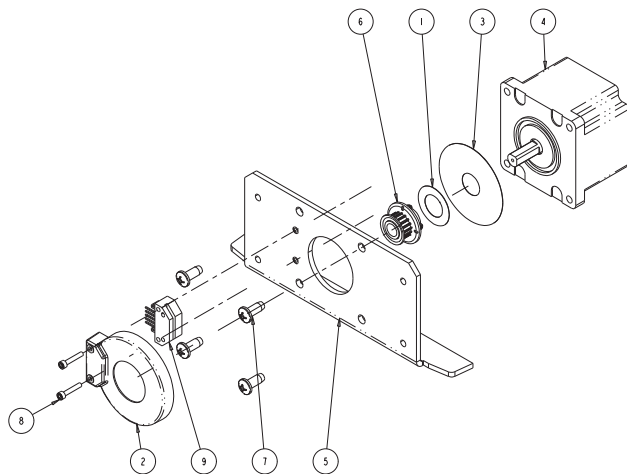
13	2	FS221	90706124	-	WASHER, THRUST, 5.2 X 20.0 X 1.27
12	1	WASHER8-FLT	90706009	-	WASHER, 8# FLAT SS, .174 X .375 X .032
11	1	SRB29	90701187	-	STOP, WHEEL RETAINER
10	1	SPRING360.1120EXT	90701340	-	SPRING, EXTENSION 360 X 1.12 LG
9	1	CAT260	99190084	-	SHIM, TILT LATCH, DLI
8	2	SCREW#4AC08BZ	91000408	-	SCREW, M4 SOCKET 08 BZ SEMS
7	1	SCREW6-32AS188BZ	90707093	-	SCREW, 6-32 SOCKET SET 3/16 BO PTCH FT PT
6	1	RING_5MM_EXS	90701299	I	RETAINER RING, EXTERNAL, GROOVELESS 5mm
5	1	CAT180	80071818	-	PLATE, SLIDE BLOCK, TILT STOP COATED DLI
4	1	CAT179	80071817	-	LATCH, TILT STOP COATED DLI
3	1	CAT326	90720008	-	HANDLE, TILT LATCHING C2
2	1	SP369	90719017	-	BUSHING, DIL 5mm x 5mm
1	1	CAT178	80071815	A	ARM, ENGAGING, TILT LOCK COATED DLI
ITEM NO.	QTY.	FILENAME	PART NO.	REV	DESCRIPTION

BILL OF MATERIALS

UNLESS OTHERWISE SPECIFIED:	RELEASE DATE:	CEL:	High End	2105 GRACY FARMS LANE AUSTIN, TEXAS 78758 (512) 836-2246 FAX (512) 832-4128 http://www.highend.com	
DIMENSIONAL TOLERANCES:	ENG:	QA:			
0 PLACE DECIMAL: ±0.38	ME:				
1 PLACE DECIMAL: ±0.13	MEG:	DRW: J MADDOX			
2 PLACE DECIMALS: ±0.13	ANGLES: ±0.5°				
FOR PAINTED PARTS REFER TO ENG. SPEC. MANUAL W1-0592	DESCRIPTION:				
	LATCH, ASSY, TILT, DLI				
MIN. DRAFT	MATERIAL:				FINISH:
MIN. RADII	CHARTED				NA
FLATNESS	INTERPRET DIMENSIONS PER	SI	PART NO.	DRAWING NO.	REV.
THICKNESS	ASME Y14.5M-1994	METRIC	INTERNAL	CATA031	NA
VOLUME	THIRD ANGLE PROJECTION	A1	DO NOT SCALE	SCALE: 2.000	SHEET: 1 OF 1
	DIMENSIONS ARE IN MILLIMETERS				

PROPRIETARY NOTICE:

THIS DOCUMENT CONTAINS CONFIDENTIAL AND PROPRIETARY INFORMATION OF HIGH END SYSTEMS INC., (ALSO DBA LIGHTWAVE RESEARCH) AND IS GIVEN TO THE RECEIVER IN CONFIDENCE. THE RECEIVER ACCEPTS AND AGREES THAT, EXCEPT AS AUTHORIZED BY HIGH END SYSTEMS, THE RECEIVER WILL NOT FURNISH THE USE OF THE DOCUMENT OR ANY COPY THEREOF OR THE INFORMATION THEREIN, WILL NOT COPY OR PERMIT COPYING THE DOCUMENT WILL NOT DISCLOSE TO OTHERS EITHER THE DOCUMENT OR THE INFORMATION THEREIN, AND WILL UPON COMPLETION OF THE NEEDS TO RETAIN THE DOCUMENT, OR UPON DEMAND, RETURN THE DOCUMENT WITHOUT RETAINING ANY OF THE INFORMATION CONTAINED THEREIN IN ANY FORM WHATSOEVER.



**FOR SERVICE  
REFERENCE ONLY**

9	1	SENSOR_ENCODER	90306075	SENSOR_ENCODER_HEDS-900000
8	2	SCREWM2-5AC14SS	91102514	SCREW, M2.5 SOCKET 14 SS
7	4	SCREWM10-14PPF500	90709062	SCREW, #10 PHIL PAN 1/2 PLASTITE S2
6	1	TW335	99430126	PINION ASSY 17T 3MM HTD, LOW PROFILE
5	1	DB142	99260463	MOUNT, TYPE 23 MOTOR DL
4	1	MR060	99270035	MOTOR, STEP 3PH S60 22.5MM SHAFT JS
3	1	ENCODER_DISK_NG	99180071	ENCODER, DISK 23.36 RAD, 2048 CPR, .57
2	1	DB260	99220039	COVER_ENCODER_DL
1	1	DB410	99190095	ADHESIVE_DISK, DOUBLE-SIDED, ENCODED DL2
ITEM NO.	QTY.	FILENAME	PART NO.	DESCRIPTION

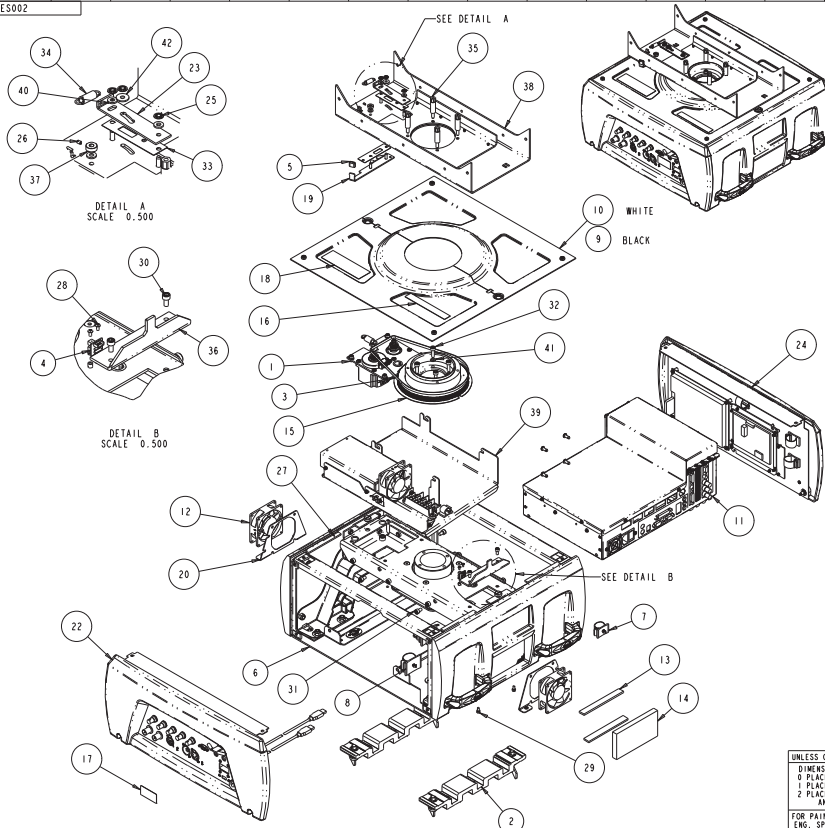
**BILL OF MATERIALS**

UNLESS OTHERWISE SPECIFIED:	RELEASE DATE:	CEL:	High End	2105 GRACY FARMS LANE AUSTIN, TEXAS 78758 (512) 836-2244 FAX (512) 832-4128 http://www.highend.com	
DIMENSIONAL TOLERANCES:	ENG:	DA:			
0 PLACE DECIMAL: ±0.38	ME:	DRW:			
1 PLACE DECIMAL: ±0.25	MEG:				
2 PLACE DECIMALS: ±0.13	ANGLES: ±0.5°				
FOR PAINTED PARTS REFER TO ENG. SPEC. MANUAL W1-0582	DESCRIPTION:	ASST. TILT DRIVE, W/ENCODER DL3			
MIN. DRAFT	MATERIAL:	CHARTED	FINISH:	NA	
W/R, DRD11	INTERPRET DIMENSIONS PER	ASME Y14.5M-1994	PART NO.	INTERNAL	
FLATNESS	THIRD ANGLE PROJECTION		DRAWING NO.	DES027	
THICKNESS	DIMENSIONS ARE IN MILLIMETERS		DO NOT SCALE	SCALE: 1:100	
VOLUME				SHEET: 1 OF 1	

**PROPRIETARY NOTICE:**

THIS DOCUMENT CONTAINS CONFIDENTIAL AND PROPRIETARY INFORMATION OF HIGH END SYSTEMS INC., (ALSO DBA LIGHTWAVE RESEARCH) AND IS GIVEN TO THE RECEIVER IN CONFIDENCE. THE RECEIVER ACCEPTS AND AGREES THAT, EXCEPT AS AUTHORIZED BY HIGH END SYSTEMS, THE RECEIVER WILL NOT PERMIT THE USE OF THIS DOCUMENT OR ANY COPY THEREOF OR THE INFORMATION THEREIN, WILL NOT COPY OR PERMIT COPYING THE DOCUMENT WILL NOT DISCLOSE TO OTHERS EITHER THE DOCUMENT OR THE INFORMATION THEREIN, AND WILL UPON COMPLETION OF THE NEEDS TO RETAIN THE DOCUMENT, OR UPON DEMAND, RETURN THE DOCUMENT WITHOUT RETAINING ANY OF THE INFORMATION CONTAINED THEREIN IN ANY FORM WHATSOEVER.

DES002



## FOR SERVICE REFERENCE ONLY

42	1	SP132	90760083	WASHER, THRUST, OPTICAL MODULE ASSY
41	4	WASHER,M6,SPLITLOCK,SS	91190206	WASHER, LOCK, SPLIT, M6, SS
40	3	WASHER10-204X440SS	90760012	WASHER, FLAT #10 SS
39	1	OBAD019	INTERNAL	TRAY ASM, POWER SUPPLY, DL2
38	1	OB195	CHARTED	SUPPORT, REINFORCED YOKE BASE DL2
37	1	SW329	90701187	STOP, WHEEL, RETAINER
36	1	OB129	99260461	STOP, PAN LOCK, DL2
35	4	DB330	91206667	STANDOFF, M5-0.8 X 42.7 HEX M-F STEEL
34	1	SPRING360_112EXT	90701340	SPRING, EXTENSION .360 X 1.12 LG
33	2	OB210	99190090	SHIM, PAN LATCH, DL2
32	4	SCREWM6AC20SS	91100620	SCREW, M6 SOCKET 20 SS
31	4	SCREWM6AC10SS	91100610	SCREW, M6 SOCKET 10 SS W/PATCH
30	2	SCREWM5AC10SSP	91100510	SCREW, M5 SOCKET 10 SS, W/PATCH
29	4	SCREWM4AC08BZ	91000408	SCREW, M4 SOCKET 08 BZ SEMI
28	2	SCREWM3AD06BZ	91010306	SCREW, M3 BUTTON 06 BZ W/TEMP
27	8	SCREW10-14PPF500	90709062	SCREW, #10 PHIL PAN 1/2 PLASTITE S2
26	1	SCREW6-32AS188BZ	90707093	SCREW, 6-32 SOCKET SET 3/16 BO PTCH FT PT
25	3	RETAINER,PUSH,SMM	90701364	RETAINER,PUSH-ON,SMM SHAFT
24	1	DEAD06	INTERNAL	REAR PANEL, COMPLETE, DL3
23	1	OB143	90070392	PLATE,DETENT,PAN LATCH, PLATED DL2
22	1	DEAD07	INTERNAL	PANEL,ASM COMPLETE, 1/0, DL3
21	1	NOTM6REP	91201206	NOT, M6 KEPS
20	2	OB103	99260453	MOUNT, EXHAUST FAN, TOP BOX DL2
19	1	DB134	90071849	LATCH, PAN LEVER
18	1	DE9310470	99310470	LABEL,COMPLIANCE DL3
17	1	LABEL_SERIAL_GENERIC	90890100	LABEL, SERIAL, GENERIC
16	1	LABEL_MFG_WARNING	99310399	LABEL, MANUFACTURERS WARNING DL1
15	1	OBAD015	INTERNAL	GEAR ASSY, PAN DL2
14	1	OB512	90260015	FILTER, INTAKE TOP BOX DL2
13	2	VELCRO_STRIP_HOOK88	90722021	FASTENER,VELCRO,5/8" WIDE W/PSA,HOOK 88
12	2	S1444	90270011	FAN, ASSY SUMON SP2 S12
11	1	DEAD26	90110058	ENCLOSURE, COMPUTER ASSY, COMPLETE DL3,
10	2	DEAD23	80110040	COVER, ASSY UPPER, TOP BOX, WHI
9	2	OBAD24	80110035	COVER, ASSY UPPER, TOP BOX DL2
8	2	CLIP_100_PUSH_ON_NY	90701359	CLIP, WIRE 1.00 DIA, PUSH MOUNT
7	1	CLIP_75_PUSH_ON_NY	90701358	CLIP, WIRE .75 DIA, PUSH MOUNT
6	1	OBAD011	INTERNAL	CHASSIS ASM, TOP BOX DL2
5	1	CAP_090X4371D_SILVER	90724014	CAP, .090 X .437 I.D.; PUSH ON, NY, SILVER
4	1	FS109	90040022EF	BOARD,ASSY X-SPOT FLAG HOMING SENSOR
3	1	DB510	99360044	BELT, TIMING, 3MM HTD, 223 GROOVE, 6MM W
2	2	CATA032	90460003	ASSY, MOUNT, TRUSS, DLT EXTRUDED
1	1	OBAD028	INTERNAL	ASSY, MOTOR W/SENSOR, TOP BOX DL2
ITEM NO.	QTY.	FILENAME	PART NO.	DESCRIPTION
BILL OF MATERIALS				

UNLESS OTHERWISE SPECIFIED:	RELEASE DATE:	CC:
DIMENSIONAL TOLERANCES:	ENG:	QA:
0 PLACE DECIMAL = ±0.38	MEG:	
1 PLACE DECIMAL = ±0.25	WEG:	DRW:
2 PLACE DECIMALS = ±0.13		
ANGLES = ±0.5°		
FOR PAINTED PARTS REFER TO ENG. SPEC. MANUAL W1-0592	INTERVAL:	
ALL COMPONENTS, MATERIALS AND FINISHES TO BE BMS COMPLIANT	CHARTED	
MIN. HAPT	INTERPRET DIMENSIONS PER ASME Y14.5M-1994	
PLATING:	THIRD ANGLE PROJECTION	
TOLERANCES:	DIMENSIONS ARE IN MILLIMETERS	
VOLUME:		

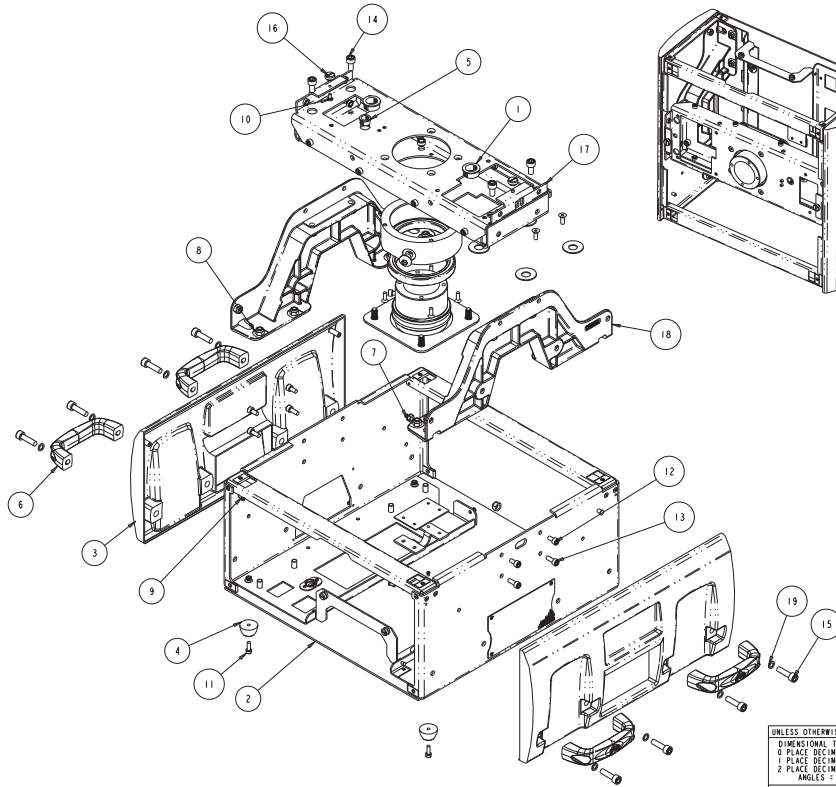
High End 2105 GRACY FARMS LANE  
AUSTIN, TEXAS 78758  
(512) 836-2244  
FAX (512) 832-4128  
http://www.highend.com



## DISPOSABLE NOTICE

THIS DOCUMENT CONTAINS CONFIDENTIAL AND PROPRIETARY INFORMATION OF HIGH END SYSTEMS INC., (A530 DBA LIGHTWAVE RESEARCH) AND IS GIVEN TO THE RECEIVER IN CONFIDENCE. THE RECEIVER ACCEPTS AND AGREES THAT, EXCEPT AS AUTHORIZED BY HIGH END SYSTEMS, THE RECEIVER WILL NOT PERMIT THE USE OF THE DOCUMENT OR ANY COPY THEREOF OR THE INFORMATION HEREIN, WILL NOT COPY OR REPRODUCE THE DOCUMENT, WILL NOT DISCLOSE THE DOCUMENT OR THE INFORMATION THEREIN, AND WILL UPON COMPLETION OF THE WORK TO WHICH THE DOCUMENT, OR UPON DEMAND, RETURN THE DOCUMENT, WITHOUT RETAINING ANY OF THE INFORMATION CONTAINED THEREIN IN ANY FORM WHATSOEVER.

DESCRIPTION: TOP-BOX,ASM, MAIN DL3  
FINISH: NA  
PART NO. INTERNAL DES002  
DRAWING NO. DES002  
SCALE: 0.250  
SHEET: 1 OF 1



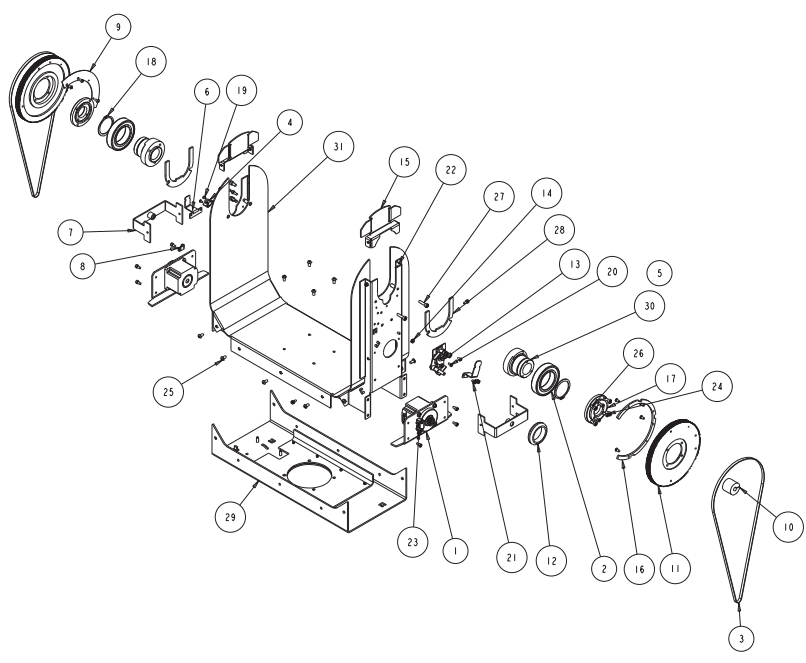
**FOR SERVICE  
REFERENCE ONLY**

19	8	WASHER318_500_040	90706101	WASHER, .040 X .318 ID X .500 OD
18	2	DB250	99260452	SUPPORT, BEAM, CAST TOP BOX, DL2
17	1	TWA094	80460012	SUPPORT, ASSY PAN BEARING V4
16	2	DB306	80071851	STUD, PANEL RETAINER, DL2
15	8	SCREWBAC30SS	91100830	SCREW, M8 SOCKET 30 SS
14	4	SCREWBAC16SSP	91100816	SCREW, M8 SOCKET 16 SS W/PATCH
13	4	SCREWBAC12SSP	91100616	SCREW, M6 SOCKET 12 SS W/PATCH
12	4	SCREWBAC12SSP	91100612	SCREW, M6 SOCKET 12 SS W/PATCH
11	4	SCREWBAC16BZ	91000516	SCREW, M8 SOCKET CAP 16 BZ SEMS
10	2	SCREWM4A080BZP	91010408	SCREW, M4 BUTTON 08 BZ W/PATCH
9	4	SCREWS-19PPB0380BZ	90709117	SCREW, 6-19 PHIL PAN PLASTITE 3/8 BZ
8	16	NUT, MS, LOCK, NY	90703105	NUT, NYLON M8-1.25
7	1	NUT, MS, KEPS	91201206	NUT, MS KEPS
6	4	SW214	90720005	HANDLE, SMALL W/ LOGO
5	1	BUSHING500SNAP	90410102	GROMMET, SNAP BUSHING .50 ID
4	1	RUBBER, FOOT	90410089	FOOT, RUBBER, STC/INH LONG
3	2	DB201	99220033	COVER, SIDE, TOP BOX DL2
2	1	DBA009	80071852	CHASSIS ASSY, TOP BOX DL2
1	2	BUSHING-REYCO-2140	90410030	BUSHING, SNAP 1" F100

ITEM NO.		QTY.	FILENAME	PART NO.	DESCRIPTION
BILL OF MATERIALS					
UNLESS OTHERWISE SPECIFIED:		RELEASE DATE:	CEL:	High End 2105 GRACY FARMS LANE AUSTIN, TEXAS 78758 (512) 836-2244 FAX (512) 832-4128 http://www.highend.com	
DIMENSIONAL TOLERANCES:		ENG:	QA:		
0 PLACE DECIMAL: ±0.38		MEG:	DRW:		
1 PLACE DECIMAL: ±0.13		MEG:			
2 PLACE DECIMALS: ±0.13		MEG:			
ANGLES: ±0.5°		DESCRIPTION: CHASSIS ASM, TOP BOX DL2			
FOR PAINTED PARTS REFER TO ENG. SPEC. MANUAL W1-0582		MATERIAL: CHARTED		FINISH: NA	
MIN. DRAFT	W1N, DR011	INTERPRET DIMENSIONS PER ASME Y14.5M-1994		PART NO.	INTERNAL DBS011
FLATNESS		THIRD ANGLE PROJECTION		DO NOT SCALE	SCALE: 0.350
THICKNESS		DIMENSIONS ARE IN MILLIMETERS			
VOLUME					SHEET: 1 OF 1

**PROPRIETARY NOTICE:**  
THIS DOCUMENT CONTAINS CONFIDENTIAL AND PROPRIETARY INFORMATION OF HIGH END SYSTEMS, INC., (ALSO DBA LIGHTWAVE RESEARCH) AND IS GIVEN TO THE RECEIVER IN CONFIDENCE. THE RECEIVER ACCEPTS AND AGREES THAT, EXCEPT AS AUTHORIZED BY HIGH END SYSTEMS, THE RECEIVER WILL NOT PERMIT THE USE OF THIS DOCUMENT OR ANY COPY THEREOF OR THE INFORMATION THEREIN, WILL NOT COPY OR PERMIT COPYING THE DOCUMENT WILL NOT DISCLOSE TO OTHERS EITHER THE DOCUMENT OR THE INFORMATION THEREIN, AND WILL UPON COMPLETION OF THE NEED TO RETAIN THE DOCUMENT, OR UPON DEMAND, RETURN THE DOCUMENT WITHOUT RETAINING ANY OF THE INFORMATION CONTAINED THEREIN IN ANY FORM WHATSOEVER.

REV.



## FOR SERVICE REFERENCE ONLY

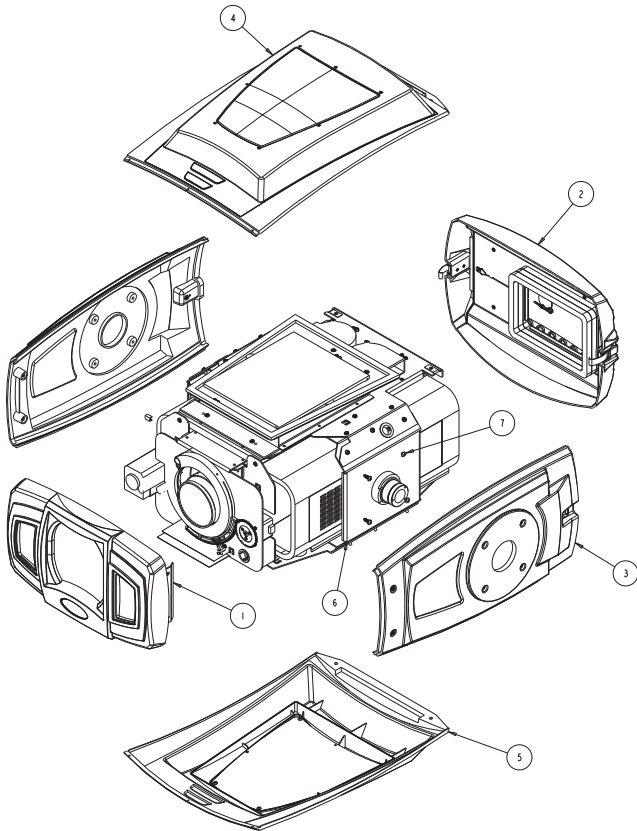
31	1	TWA093	CHARTED	YOKE, WELDED ASSY PAINTED SG
30	2	DE305	99140022	TUBE, TILT, SHORT
29	1	DB195	CHARTED	SUPPORT, REINFORCED YOKE BASE DL2
28	2	CAT187	99260425	STOP, TILT TUBE, DL
27	4	SCREWMSAC20SSP	91100520	SCREW, M5 SOCKET 20 SS W/PATCH
26	8	SCREWMSAC10SSP	91100510	SCREW, M5 SOCKET 10 SS W/PATCH
25	14	SCREWMSAB10BZP	91010510	SCREW, M5 BUTTON 10 BZ W/PATCH
24	8	SCREWMA4C10BZP	91050410	SCREW, M4 SOCKET CAP 10 BZ W/PATCH
23	8	SCREWMA4C0BSS	91100408	SCREW, M4 SOCKET CAP 08 SS
22	8	SCREWMA4C0BZ	91000408	SCREW, M4 SOCKET 08 BZ SEMS
21	2	SCREWMA4C0BZ	91000406	SCREW, M4 SOCKET 06 BZ SEMS
20	11	SCREWMA4B0BZP	91010408	SCREW, M4 BUTTON 08 BZ W/PATCH
19	2	SCREWMA3B0BZ	91010306	SCREW, M3 BUTTON 06 BZ NYTEMP
18	2	RING, RETAINING, 175, SHAFT	90701375	RING, RETAINING, EXTERNAL, 1.618
17	2	DE309	99360052	PULLEY, ADAPTOR, TILT, DL3
16	1	DE131	99080350	PLATE, TILT STOP V3
15	2	CAT181	80071806	PLATE, TILT BEARING RETAINER BLK DL1
14	1	NUTM4KEP	91201204	NUT, M4 KEPS
13	1	CATA031	NA	LATCH, ASSY, TILT, DL1
12	1	GROMMET, 1.50, 1D	90410146	GROMMET, 1.50 ID x 2.13 OD RUBBER
11	2	DE132	99430131	GEAR, PULLEY, 170T TILT/PAN DRIVE V2
10	1	DE513	99330176	FOAM, PUG, YOKE TUBE, DL3
9	1	CAT183	99360042	FLANGE, TILT SENSOR, DL
8	1	CLAMP, 188, NY	90410023	CLAMP, 3/16 NYLON CABLE CLAMP BLACK
7	2	CAT186	99260424	BRACKET, YOKE ARM COVER RETAINER DL
6	1	CAT198	99263113	BRACKET, WIRE GUIDE, RIGHT, DL
5	1	CAT197	99263112	BRACKET, WIRE GUIDE, LEFT, DL
4	1	FS709	80040022EF	BOARD, ASSY X-SPOT FLAG HOMING SENSOR
3	2	CAT507	99360039	BELT, TIMING, 300 GROOVE 6mm
2	2	BEARING, .45-75MM, BALL	90719061	BALL BEARING 45.0 x 75.0 x 16.0 MM
1	2	DEA027	INTERNAL	ASSY, TILT DRIVE, W/ENCODER DL3

ITEM NO. QTY. FILENAME PART NO. DESCRIPTION

BILL OF MATERIALS

UNLESS OTHERWISE SPECIFIED:	RELEASE DATE:	CC:	2105 GRACY FARMS LANE AUSTIN, TEXAS 78758 (512) 536-2244 FAX (512) 832-4128 http://www.highend.com	LIGHTWAVE RESEARCH
DIMENSIONAL TOLERANCES:	ENG:	DA:		
0 PLACE DECIMAL: ±0.38	MEG:	DRW:		
1 PLACE DECIMAL: ±0.25	WEG:			
2 PLACE DECIMALS: ±0.13	ANGLES: ±0.5			
FOR PAINTED PARTS REFER TO ENG. SPEC. MANUAL W1-0592	MATERIAL:		FINISH:	
ALL COMPONENTS: MATURING AND FINISHES TO BE BANS COMPLIANT	CHARTED		NA	
MIN. HOLE:	INTERPRET DIMENSIONS PER	SI	PART NO.	DRAWING NO.
FLATNESS:	ASME Y14.5M-1994	METRIC	INTERNAL	DES003
TOLERANCES:	THIRD ANGLE PROJECTION	A1	DO NOT SCALE	SCALE: 0.250
VOLUME	DIMENSIONS ARE IN MILLIMETERS			SHEET: 1 OF 1

**DISPOSABLE COPY NOTICE:**  
 THIS DOCUMENT CONTAINS CONFIDENTIAL AND PROPRIETARY INFORMATION OF HIGH END SYSTEMS INC., (AN ISO 9001 LIGHTWAVE RESEARCH) AND IS GIVEN TO THE RECEIVER IN CONFIDENCE. THE RECEIVER ACCEPTS AND AGREES THAT, EXCEPT AS AUTHORIZED BY HIGH END SYSTEMS, THE RECEIVER WILL NOT PERMIT THE USE OF THE DOCUMENT OR ANY COPY THEREOF OR THE INFORMATION THEREIN, WILL NOT COPY OR REPRODUCE THE DOCUMENT, WILL NOT DISCLOSE TO OTHERS EITHER THE DOCUMENT OR THE INFORMATION THEREIN, AND WILL UPON COMPLETION OF THE NEED TO RETURN THE DOCUMENT, OR UPON DEMAND, RETURN THE DOCUMENT WITHOUT RETAINING ANY OF THE INFORMATION CONTAINED THEREIN IN ANY FORM WHATSOEVER.



FOR SERVICE  
REFERENCE ONLY

7	8	SCREW10-16X500TYPEBSS	90709203	SCREW,PHIL PAN, 10-16 x 1/2" TYPE B SS
6	1	DEAD17	INTERNAL	FRAME ASM, PROJECTOR
5	1	DEAD14	80110047	COVER ASM, LOWER DL3
4	1	DEAD13	80110046	COVER ASM, UPPER DL3
3	2	DEAD12	80110045	COVER ASM, SIDE, DL3
2	1	DEAD18	INTERNAL	COVER ASM, REAR, COMPLETE DL3
1	1	DEAD16	INTERNAL	BEZEL ASSY, HEAD, FRONT, DL3
ITEM NO.	QTY.	FILENAME	PART NO.	DESCRIPTION
BILL OF MATERIALS				

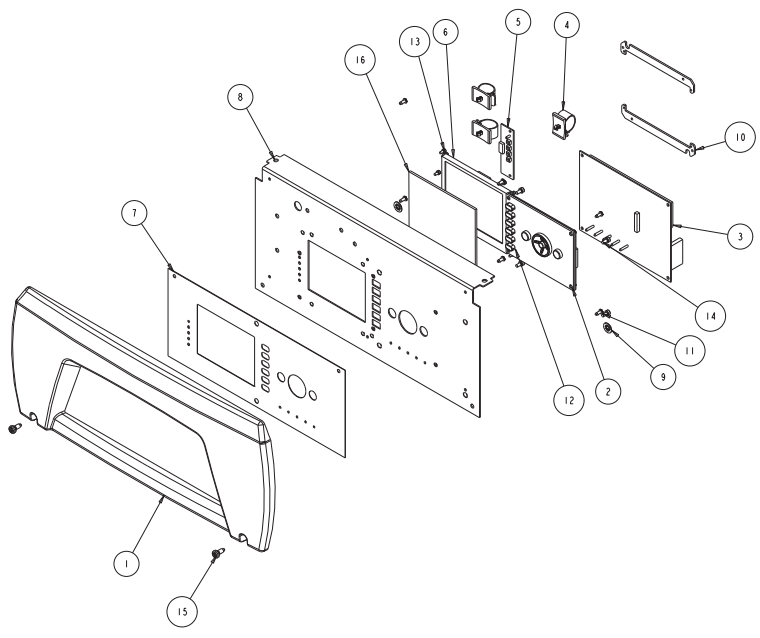
UNLESS OTHERWISE SPECIFIED:	RELEASE DATE:	CE:	 2105 GRACY FARMS LANE AUSTIN, TEXAS 78758 (512) 836-2244 FAX (512) 832-4128 <a href="http://www.highend.com">http://www.highend.com</a>	
DIMENSIONAL TOLERANCES:	ENG:	QA:		
0 PLACE DECIMAL: ±0.38	MEG:	DRW:		
1 PLACE DECIMAL: ±0.25	MEG:			
2 PLACE DECIMALS: ±0.13	ANGLES: ±0.5°			
FOR PAINTED PARTS REFER TO ENG. SPEC. MANUAL WJ-0592	DESCRIPTION:			
ALL COMPONENTS: MATERIALS AND FINISHES TO BE BANS COMPLIANT	HEAD, SUB-ASM, TOP LEVEL DL3			
W.M. MARK:	INTERPRET DIMENSIONS PER ASME Y14.5M-1994			
FLATNESS:	THIRD ANGLE PROJECTION			
THICKNESS:	DIMENSIONS ARE IN MILLIMETERS			
VOLUME:				
			PART NO. INTERNAL DES004	DRAWING NO. DES004
			DO NOT SCALE	SCALE: 0.300
				SHEET: 1 OF 1

**DISPLETEARY NOTICE**

THIS DOCUMENT CONTAINS CONFIDENTIAL AND PROPRIETARY INFORMATION OF HIGH END SYSTEMS INC., ALSO DBA LIGHTWAVE RESEARCH AND IS GIVEN TO THE RECEIVER IN CONFIDENCE. THE RECEIVER ACCEPTS AND AGREES THAT, EXCEPT AS AUTHORIZED BY HIGH END SYSTEMS, THE RECEIVER WILL NOT PERMIT THE USE OF THE DOCUMENT OR ANY COPY THEREOF OR THE INFORMATION HEREIN, WILL NOT COPY OR REPRODUCE THE DOCUMENT, WILL NOT DISCLOSE TO OTHERS EITHER THE DOCUMENT OR THE INFORMATION THEREIN, AND WILL UPON COMPLETION OF THE NEED TO RETAIN THE DOCUMENT, OR UPON DEMAND, RETURN THE DOCUMENT, WITHOUT RETAINING ANY OF THE INFORMATION CONTAINED THEREIN IN ANY FORM WHATSOEVER.





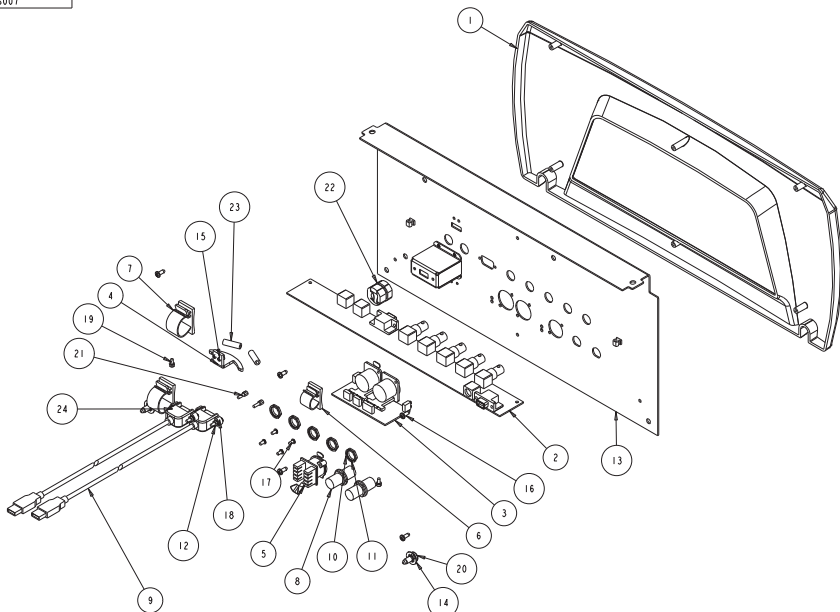


**FOR SERVICE  
REFERENCE ONLY**

ITEM NO.	QTY.	FILENAME	PART NO.	DESCRIPTION
16	1	DB400	80530076	WINDOW, LCD APERTURE, DL2
15	2	SCREW_230_611LG_CAPTIVE	90712007	SCREW, CAPTIVE PHIL .23 OD X .611 LG CR
14	4	SCREW_M4AC08B2	91000408	SCREW, M4 SOCKET DB BZ SEMS
13	10	SCREW_M3AC06B2	91000306	SCREW, M3 SOCKET CAP 06 BZ SEMS
12	4	SCREW_M2_5AC08SS	91102508	SCREW, M2.5 SOCKET 8 SS
11	6	SCREW-19PP00380B2	90709117	SCREW, 6-19 PHIL PAN PLASTITE 3/8 BZ
10	2	DB141	99260462	RETAINER, LCD DISPLAY DL2
9	2	RETAINER, CAPTIVE, SS	90701362	RETAINER, CAPTIVE, SS, MED
8	1	DE129	80071855	PANEL, FRONT DL2
7	1	DE450	99310466	LABEL, FRONT PANEL, DL3
6	1	DB436	90306073	DISPLAY, LCD, 5.6" TFT- DL2
5	1	DB436_01	90306073	DISPLAY, LCD, 5.6" TFT- SWITCH BRD
4	3	CLIP_75_PUSH_ON_NY	90701358	CLIP, WIRE .75 DIA, PUSH MOUNT
3	1	DB425	80010187F	BOARD, DL HEAD CONTROL TESTED
2	1	DB401	80010190	BOARD, ASSY KEYPAD, DL2
1	1	DB200		CHARTED BEZEL, TOP BOX, DL2
				BILL OF MATERIALS

UNLESS OTHERWISE SPECIFIED:	RELEASE DATE:	CE:	High End	2105 GRACY FARMS LANE AUSTIN, TEXAS 78758 (512) 836-2244 FAX (512) 832-4128 http://www.highend.com	
DIMENSIONAL TOLERANCES:	ENG:	DA:			
0 PLACE DECIMAL = ±0.38	ME:				
1 PLACE DECIMAL = ±0.25	WE:	DRW:			
2 PLACE DECIMALS = ±0.13	WEG:				
ANGLES = ±.8°					
FOR PAINTED PARTS REFER TO ENG. SPEC. MANUAL W1-0592	DESCRIPTION: REAR PANEL, COMPLETE, DL3	MATERIAL: CHARTED	FINISH: NA		
ALL COMPONENTS, MATERIALS AND FINISHES TO BE HANS COMPLIANT					
MIN. HOLE		INTERPRET DIMENSIONS PER ASME Y14.5M-1994	SI	PART NO.	DRAWING NO.
MIN. SLOT		THIRD ANGLE PROJECTION	A1	INTERNAL	DES006
FLATNESS		DIMENSIONS ARE IN MILLIMETERS		DO NOT SCALE	SCALE: 0.400
TOLERANCES					SHEET: 1 OF 1
VOLUME					

**DISPLETEARY NOTICE**  
 THIS DOCUMENT CONTAINS CONFIDENTIAL AND PROPRIETARY INFORMATION OF HIGH END SYSTEMS INC., ALSO DBA LIGHTWAVE RESEARCH AND IS GIVEN TO THE RECEIVER IN CONFIDENCE. THE RECEIVER ACCEPTS AND AGREES THAT, EXCEPT AS AUTHORIZED BY HIGH END SYSTEMS, THE RECEIVER WILL NOT PERMIT THE USE OF THE DOCUMENT OR ANY COPY THEREOF OR THE INFORMATION HEREIN, WILL NOT COPY OR REPRODUCE THE DOCUMENT, WILL NOT DISCLOSE TO OTHERS EITHER THE DOCUMENT OR THE INFORMATION THEREIN, AND WILL UPON COMPLETION OF THE NEED TO RETAIN THE DOCUMENT, OR UPON DEMAND, RETURN THE DOCUMENT WITHOUT RETAINING ANY OF THE INFORMATION CONTAINED THEREIN IN ANY FORM WHATSOEVER.



**FOR SERVICE  
REFERENCE ONLY**

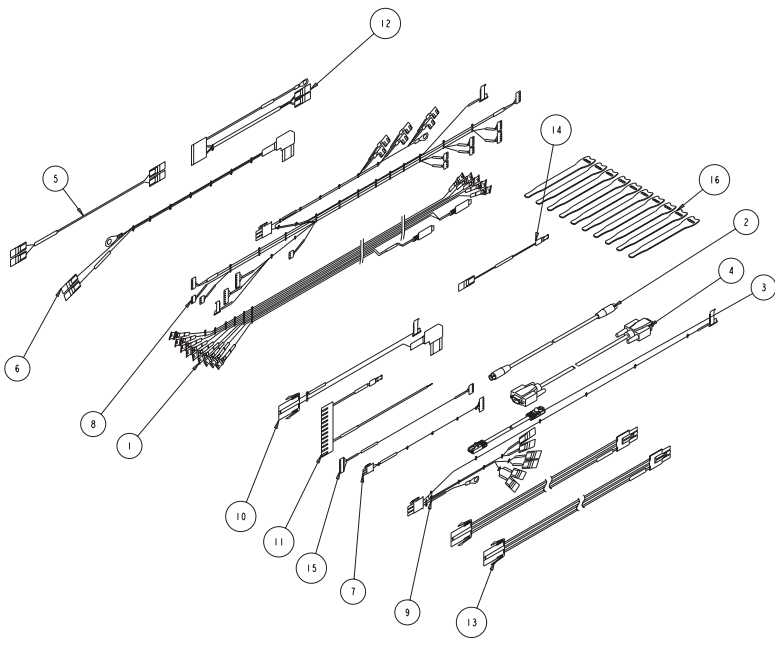
24	4	WASHER4FLAT	90706008	WASHER, #4 M/S FLATWASHER S2
23	2	TUBING_125X250-NORPRENE	90717044	TUBING,ELASTOMER,1/8ID X 1/4OD
22	1	STRAIN_RELIEF_HEYCO1244	90410073	STRAIN RELIEF, HEYCO #1244
21	2	STANDOFF440X34THEX.MF	90707122	SCREW JACK 4-40 X .347 SEMS
20	2	SCREW_230.811LG.CAPTIVE	90712007	SCREW,CAPTIVE PHIL. 23 OD X .611 LG CR
19	2	SCREW#3AC06B2	91000306	SCREW_ M3 SOCKET CAP 06 BZ SEMS
18	4	SCREW#3AB16BZ	91010316	SCREW_ M3 BUTTON SOCKET HEAD 16 BZ
17	4	SCREW#3AB06BZ	91010306	SCREW_ M3 BUTTON 06 BZ NYTEMP
16	6	SCREW6-19PPB0380BZ	90709117	SCREW, 6-19 PHIL PAN PLASTITE 3/8 BZ
15	2	RIVET43-45DMG	90701302	RIVET, 1/8 DOMED, .157-.312
14	2	RETAINER.CAPTIVE.SS	90701362	RETAINER,CAPTIVE,SS,MED
13	1	DEA019	80070494	PANEL ASM, 1/0 DL3
12	4	NUT#3HEP	91201203	NUT, M3 HEPS
11	5	NUT#500_28UNEF	90703092	NUT, 1/2-28UNEF-2B BNC
10	5	WASHER#500_ID_LOCK_INT	90706192	LOCKWASHER, BNC INTERNAL TOOTH
9	2	USB_PLUG	90409206	HARNES, USB PANEL, FLASH DRV
8	2	CONN.BNC_FEED-THRU	90721015F	COUPLER,BNC TO BNC,BULKHEAD FEED THRU
7	2	CLIP_75_PUSH_ON_NY	90701358	CLIP, WIRE .75 DIA, PUSH MOUNT
6	1	CLIP_50_PUSH_ON_NY	90701271	CLIP, WIRE .50 DIA, PUSH MOUNT
5	1	DB715	90409204	CABLE, ASSY RJ-45 DL
4	1	DB196	99260476	BRACKET,CABLE RETAINER DL2
3	1	DB438	80030066F	BOARD,COMMUNICATIONS DL2 ASSY
2	1	DB430	80030066F	BOARD, I/O VIDEO SWITCH ASSY
1	1	DB200	CHARTED	BEZEL, TOP BOX, DL2
ITEM NO.	QTY.	FILENAME	PART NO.	DESCRIPTION

**BILL OF MATERIALS**

UNLESS OTHERWISE SPECIFIED:	RELEASE DATE:	CEL:	High End	2105 GRACY FARMS LANE AUSTIN, TEXAS 78758 (512) 856-2244 FAX (512) 832-4128 http://www.highend.com	
DIMENSIONAL TOLERANCES:	ENG:	QA:			
0 PLACE DECIMAL = ±0.38	MEG:	DRW:			
1 PLACE DECIMAL = ±0.25	MEG:				
2 PLACE DECIMALS = ±0.13	MEG:				
ANGLES = ±.5°					
FOR PAINTED PARTS REFER TO ENG. SPEC. MANUAL W1-0592	DESCRIPTION:	PANEL.ASM COMPLETE, 1/0, DL3			
ALL COMPONENTS: MATERIALS AND FINISHES TO BE BANS COMPLIANT	MATERIAL:	CHARTED	FINISH:	N/A	
MIN. HOLE:	INTERPRET DIMENSIONS PER	ASME Y14.5M-1994	PART NO.	INTERNAL	DRAWING NO.
FLATNESS:	THIRD ANGLE PROJECTION		DES007		REV.
TOLERANCES:	DIMENSIONS ARE IN MILLIMETERS		DO NOT SCALE	SCALE: 0.500	SHEET: 1 OF 1
VOLUME:					

**DISPENSABLE NOTICE**

THIS DOCUMENT CONTAINS CONFIDENTIAL AND PROPRIETARY INFORMATION OF HIGH END SYSTEMS INC., ALSO DBA LIGHTWAVE RESEARCH AND IS GIVEN TO THE RECEIVER IN CONFIDENCE. THE RECEIVER ACCEPTS AND AGREES THAT, EXCEPT AS AUTHORIZED BY HIGH END SYSTEMS, THE RECEIVER WILL NOT PERMIT THE USE OF THE DOCUMENT OR ANY COPY THEREOF OR THE INFORMATION HEREIN, WILL NOT COPY OR REPRODUCE THE DOCUMENT, WILL NOT DISCLOSE TO OTHERS EITHER THE DOCUMENT OR THE INFORMATION THEREIN, AND WILL UPON COMPLETION OF THE NEED TO RETURN THE DOCUMENT, OR UPON DEMAND, RETURN THE DOCUMENT WITHOUT RETAINING ANY OF THE INFORMATION CONTAINED THEREIN IN ANY FORM WHATSOEVER.

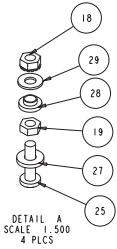
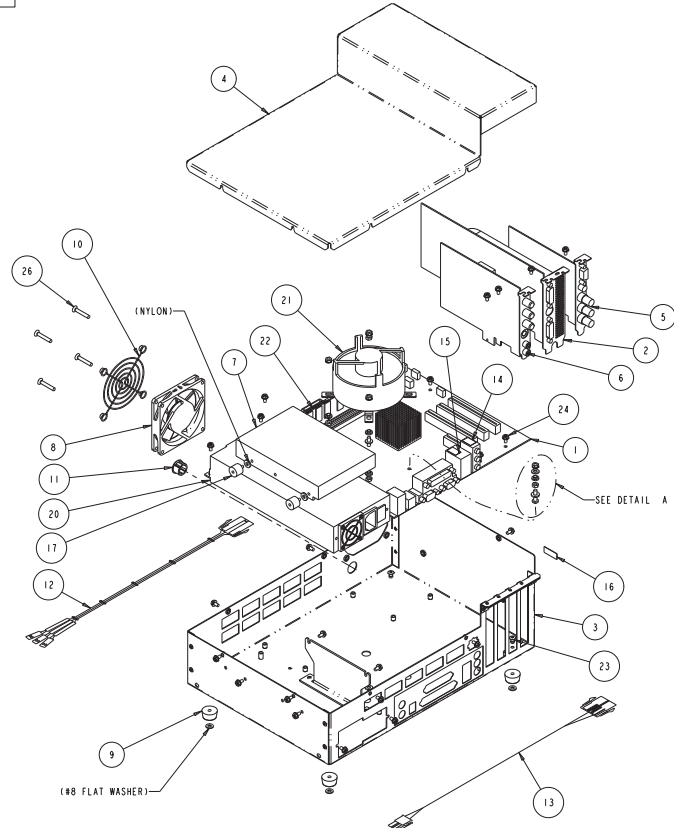


16	10	TIE-WRAP_6_VELCRO	99330160	TIE WRAP, 6" VELCRO	
15	1	DB704	90409189	HARNES. TILT DL2	
			90409195	HARNES. POWER JUMPER, DL2	
14	1	DB712	90409154	HARNES. PAN/TILT TUBE, DL1	
13	2	CAT709	90409203	HARNES. MPS INPUT DL2	
12	1	DB714	90409191	HARNES. MOTOR SUPPLY OUTPUT DL2	
11	1	DB708	90409190	HARNES. MODULE LINK, HEAD DL2	
10	1	DB707	90409201	HARNES. MOD LINK POWER, DL2	
9	1	DB706	90409186	HARNES. MAIN TOP BOX DL2	
8	1	DB701	90409193	HARNES. LED INDICATOR, DL2	
7	1	DB710	90409194	HARNES. COMPUTER POWER, DL2	
6	1	DB711	90409150	HARNES. AC INPUT DL1	
5	1	CAT701	90409198	CABLE, VGA MALE TO MALE 6" DL2	
4	1	CABLE_6FT_MALE2MALE	56070005	CABLE, USB 3" USB-A/USBB, CATALYST	
3	1	CABLE_3FT_RJ45	90409197	CABLE, S-VIDEO 6" DL2	
2	1	CABLE_6FT_SVID	90409188	CABLE, ASSY. VIDEO DL2	
1	1	DB703			
ITEM NO.	QTY.	FILENAME	PART NO.	REV.	DESCRIPTION

BILL OF MATERIALS

UNLESS OTHERWISE SPECIFIED:	RELEASE DATE:	CC:	<b>High End</b> 2105 GRACY FARMS LANE AUSTIN, TEXAS 78758 (512) 836-2240 FAX (512) 832-4128 http://www.highend.com	
DIMENSIONAL TOLERANCES:	ENG:	QA:		
0 PLACE DECIMAL: ±0.38	ME:	DRW: LARRY R		
1 PLACE DECIMAL: ±0.25	MFG:			
2 PLACE DECIMALS: ±0.13	DISCREP:			
ANGLES: ±0.5°	FOR PAINTED PARTS REFER TO ENG. SPEC. MANUAL W1-0582	ASST. MISC COMPONENTS, DL2		
	FINISH:			
MIN. DRAFT	MATERIAL:			
MIN. RADII	CHARTE			
FLATNESS	INTERPRET DIMENSIONS PER ASME Y14.5M-1994		PART NO.	DRAWING NO.
THICKNESS	THIRD ANGLE PROJECTION		INTERNAL	DBA008
VOLUME	DIMENSIONS ARE IN MILLIMETERS		DO NOT SCALE	SCALE: 0.350
			SHEET: 1 OF 1	REV. NA

**PROPRIETARY NOTICE:**  
 THIS DOCUMENT CONTAINS CONFIDENTIAL AND PROPRIETARY INFORMATION OF HIGH END SYSTEMS INC., ALSO DBA LIGHTWAVE RESEARCH AND IS GIVEN TO THE RECEIVER IN CONFIDENCE. THE RECEIVER ACCEPTS AND AGREES THAT, EXCEPT AS AUTHORIZED BY HIGH END SYSTEMS, THE RECEIVER WILL NOT PERMIT THE USE OF THIS DOCUMENT OR ANY COPY THEREOF OR THE INFORMATION THEREIN, WILL NOT COPY OR PERMIT COPYING THE DOCUMENT WILL NOT DISCLOSE TO OTHERS EITHER THE DOCUMENT OR THE INFORMATION THEREIN, AND WILL UPON COMPLETION OF THE NEEDS TO RETAIN THE DOCUMENT, OR UPON DEMAND, RETURN THE DOCUMENT WITHOUT RETAINING ANY OF THE INFORMATION CONTAINED THEREIN IN ANY FORM WHATSOEVER.



**FOR SERVICE  
REFERENCE ONLY**

29	8	WASHER-FLT	90706009	WASHER, #8 FLAT SS, .174X, .375X, .032
28	4	WASHERS, SHLDR, NYLON	90706130	WASHER, #8 SHOULDER, NYLON
27	6	WASHER, FLAT, NYLON	90706129	WASHER #8 FLAT, NYLON (.177ID, .4100D)
26	4	SCREWM4P25SS	90709200	SCREW, M4 PHIL PAN 25 SS
25	4	SCREWM4P16SS	91120416	SCREW, M4 PHIL PAN 16 SS
24	29	SCREWS-32PH250W-SZ	90711055	SCREW, 6-32 PHIL HEX WSHR HEAD 1/4 SZ
23	4	RIVETS4A0B	90701197	RIVET, 5/32 DOME, .188 - .250 ALUMINUM
22	1	CARD_RAM_240-PIN-Z6B	90903041EF	RAM, 240 PIN DDR2 1066 2G KINGSTON
21	1	DE428	90904015EF	PROCESSOR, INTEL CORE2DUO Q9550 2.83GHZ
20	1	DB440	90970018EF	POWER SUPPLY, 400W CPU DL2
19	4	NUTM4_NYLON	90703101	NUT, M4 NYLON
18	4	NUTM4NEP	91201204	NUT, M4 KEPS
17	2	MOUNT6-32RUBBER, M-F	90410149	MOUNT, RUBBER, 6-32 THD M-F
16	1	DB454	90910001	LICENSE, XPe RUNTIME
15	1	DE460	99310489	LABEL, SDI OUTPUT COMPUTER
14	1	DE459	99310488	LABEL, SDI INPUT COMPUTER
13	1	DE709	90409404EF	HARNES, PWR SUP TO VIDEO CARD, DL3
12	1	DB718	90409278EF	HARNES, MOTHERBOARD; RESET, DL2
11	1	GROMMET, 500ID, 625OD	90410102	GROMMET, SNAP BUSHING, .50 ID
10	1	GRILL, 80MM-FAN	99190100	GRILL, BLACK, 80MM FAN
9	4	FOOT_T7_PLASTIC	90410144	FOOT, .77 OD x .16 ID x .38H PLASTIC
8	1	FAN80-80-15, AXIAL-12V	80270035EF	FAN, ASSY, 12VDC 80X80X15mm 28.49 CFM
7	1	DISK_DRIVE500GB_SATA	90903042EF	DISC DRIVE, SATA 500GB 7200.11 SEAGATE
6	1	DE427	90902062EF	CRO, VID CAPTR, HAUPPAUGE
5	1	DE425	90902061EF	CRO, TUNER, DECK LINK
4	1	DB122	99220037	COVER, COMPUTER CHASSIS, DL2
3	1	DB4022	80110036	CHASSIS, COMPUTER ASSY ENCLOSURE, DL
2	1	DB441	90902060EF	CARD, VIDEO ATI HIS H4850S1GP
1	1	DE429	90903043EF	BOARD, MOTHER ATX ASUS G45 P50-EM, w/ATX

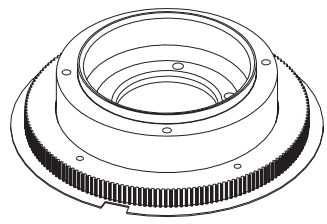
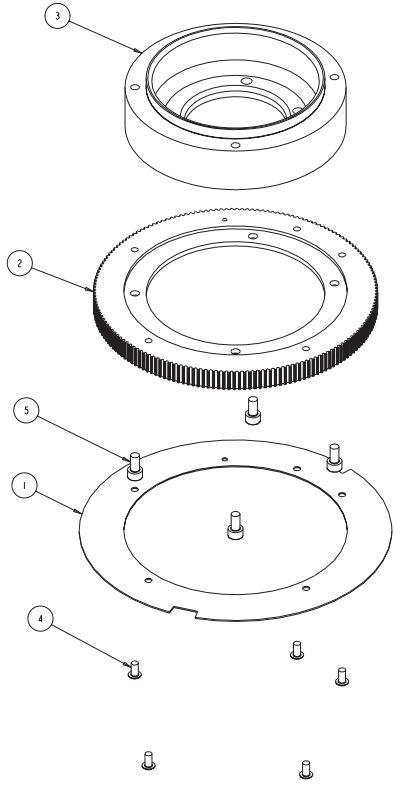
ITEM NO.	QTY.	FILENAME	PART NO.	DESCRIPTION
BILL OF MATERIALS				

**DISPLETEARY NOTICE**  
 THIS DOCUMENT CONTAINS CONFIDENTIAL AND PROPRIETARY INFORMATION OF HIGH END SYSTEMS INC., ALSO DBA LIGHTWAVE RESEARCH AND IS GIVEN TO THE RECEIVER IN CONFIDENCE. THE RECEIVER ACCEPTS AND AGREES THAT, EXCEPT AS AUTHORIZED BY HIGH END SYSTEMS, THE RECEIVER WILL NOT PERMIT THE USE OF THE DOCUMENT OR ANY COPY THEREOF OR THE INFORMATION HEREIN, WILL NOT COPY OR REPRODUCE THE DOCUMENT, WILL NOT DISCLOSE TO OTHERS EITHER THE DOCUMENT OR THE INFORMATION THEREIN, AND WILL UPON COMPLETION OF THE NEED TO RETURN THE DOCUMENT, OR UPON DEMAND, RETURN THE DOCUMENT, WITHOUT RETAINING ANY OF THE INFORMATION CONTAINED THEREIN IN ANY FORM WHATSOEVER.

UNLESS OTHERWISE SPECIFIED:	RELEASE DATE:	CEL:	High End Systems 2105 GRACY FARMS LANE AUSTIN, TEXAS 78758 (512) 936-2244 FAX (512) 832-4128 http://www.highend.com	LIGHTWAVE RESEARCH
DIMENSIONAL TOLERANCES:	ENG:	DA:		
0 PLACE DECIMAL: ±0.38	MEG:	DRW:		
1 PLACE DECIMAL: ±0.25	MEG:			
2 PLACE DECIMALS: ±0.13	ANGLES: ±0.5°			
FOR PAINTED PARTS REFER TO ENG. SPEC. MANUAL WJ-0592	MATERIAL:		FINISH:	
ALL COMPONENTS: MATTERING AND FINISHES TO BE BANS COMPLIANT	DATE:			
	INTERPRET DIMENSIONS PER ASME Y14.5M-1994	SI A1	PART NO. <b>80110058</b>	DRAWING NO. <b>DES026</b>
	THIRD ANGLE PROJECTION		DO NOT SCALE	SCALE: 0.630
	DIMENSIONS ARE IN MILLIMETERS			SHEET: 1 OF 1

DBA015

REV.	DESCRIPTION	DATE	ENG	ECO #	APPR
2	REMOVE PAN TUBE	20JUL04	LR		
3	CHANGED PARTS FOR LARGER PAN TUBE DESIGN	28APROS	DF		



NOTES:  
1. PARTS TO BE FREE OF BURRS AND/OR SHARP EDGES

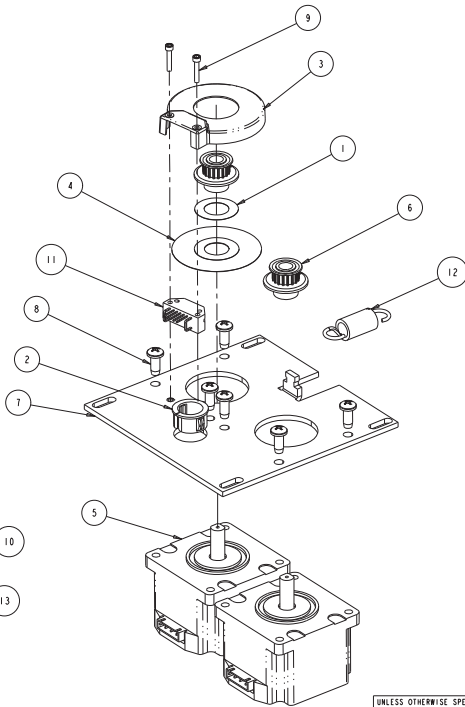
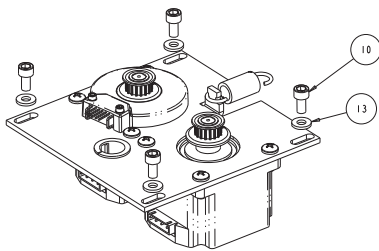
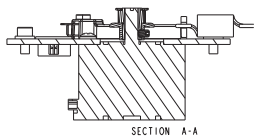
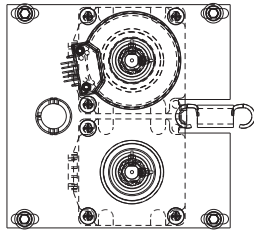
ITEM NO.	QTY.	FILENAME	PART NO.	REV	DESCRIPTION
5	4	SCREWM5A10SSP	91100510	.	SCREW, M5 SOCKET 10 SS, W/PATCH
4	5	SCREWM4B08BZP	91010405	.	SCREW, M4 BUTTON 08 BZ W/PATCH
3	1	DB311	9940092	A	HUB, YOKE ADAPTER, DL2
2	1	DB301	99430111	A	GEAR, PULLEY, 170T PAN DRIVE, DL2
1	1	DB185	99360045	A	FLANGE, PAN SENSOR, DL2

BILL OF MATERIALS

UNLESS OTHERWISE SPECIFIED:	RELEASE DATE:	CE:	 2105 GRACY FARMS LANE AUSTIN, TEXAS 78758 (512) 836-2244 FAX (512) 832-4128 http://www.highend.com	 LIGHTWAVE RESEARCH
DIMENSIONAL TOLERANCES:	ENG:	DA:		
0 PLACE DECIMAL: ±0.38	ME:			
1 PLACE DECIMAL: ±0.13	WE:	DRW: K. BICKERS		
2 PLACE DECIMALS: ±0.13	ANGLES: ±0.5°			
FOR PAINTED PARTS REFER TO:	DESCRIPTION:	GEAR ASSY, PAN DL2		
ENG. SPEC. MANUAL W1-0582	MATERIAL:	FINISH: NONE		
MIN. DRAFT	FINISH:	NONE		
MIN. RADII	FINISH:	NONE		
FLATNESS	FINISH:	NONE		
THICKNESS	FINISH:	NONE		
VOLUME	FINISH:	NONE		

PROPRIETARY NOTICE:  
THIS DOCUMENT CONTAINS CONFIDENTIAL AND PROPRIETARY INFORMATION OF HIGH END SYSTEMS INC., (ALSO DBA LIGHTWAVE RESEARCH) AND IS GIVEN TO THE RECEIVER IN CONFIDENCE. THE RECEIVER ACCEPTS AND AGREES THAT, EXCEPT AS AUTHORIZED BY HIGH END SYSTEMS, THE RECEIVER WILL NOT PERMIT THE USE OF THE DOCUMENT OR ANY COPY THEREOF OR THE INFORMATION THEREIN, WILL NOT COPY OR PERMIT COPYING THE DOCUMENT WILL NOT DISCLOSE TO OTHERS EITHER THE DOCUMENT OR THE INFORMATION THEREIN, AND WILL UPON COMPLETION OF THE NEEDS TO RETAIN THE DOCUMENT, OR UPON DEMAND, RETURN THE DOCUMENT WITHOUT RETAINING ANY OF THE INFORMATION CONTAINED THEREIN IN ANY FORM WHATSOEVER.

PART NO. INTERNAL DBA015  
SCALE: 1,000  
SHEET: 1 OF 1



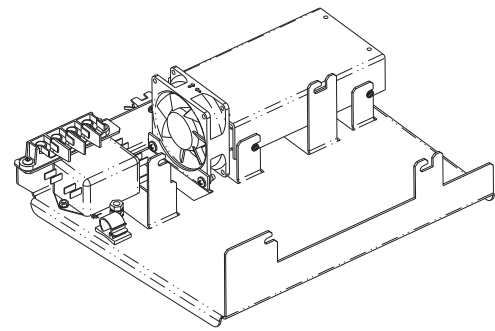
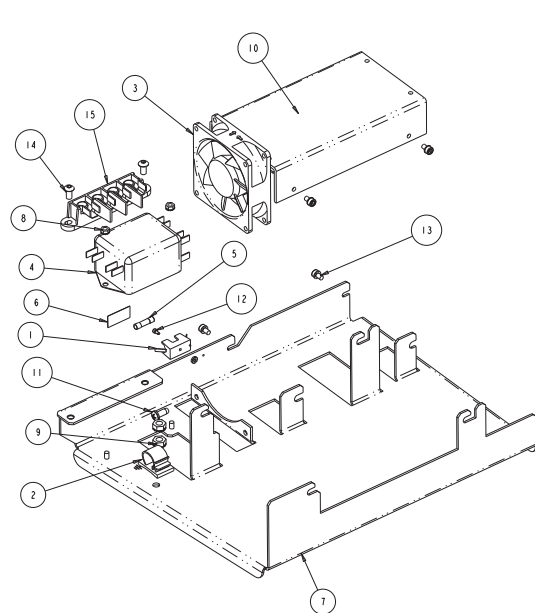
**FOR SERVICE  
REFERENCE ONLY**

13	4	WASHER 10-20X440SS	90706012	WASHER, FLAT #10 SS
12	1	SPRINGS00.1250.LG	90701354	SPRING, EXTENSION, .500 X 1.25 LG
11	1	SENSOR_ENCODER	90306075	SENSOR_ENCODER, HEDS-9000000
10	4	SCREWSM6X1.0SSP	91100510	SCREW, M6 SOCKET TO SS, W/PATCH
9	2	SCREW M2-SAC14SS	91102514	SCREW, M2, 5 SOCKET 14 SS
8	6	SCREW 10-14PPF500	90709062	SCREW, #10 PHIL PAN 1/2 PLASTITE S2
7	1	DB154	99080251	PLATE, MOTOR ADJUST, PAN DL2
6	2	DB335	99430118	PINTON, ASSY 17T 3MM HTD
5	2	MR060	99270035	MOTOR, STEP 3PH S60 22.5MM SHAFT JS
4	1	ENCODER_DISK	99180070	ENCODER, WHEEL 23.36 RADIUS, 2048 CPR
3	1	DB260	99220039	COVER, ENCODER DL
2	1	BUSHING.562.SPLIT	90719032	BUSHING, .56 OPEN/CLOSED NYLON BLACK
1	1	DB470	99190095	ADHESIVE DISK, DOUBLE-SIDED, ENCODED DL2
ITEM NO., QTY.		FILENAME	PART NO.	DESCRIPTION
BILL OF MATERIALS				

UNLESS OTHERWISE SPECIFIED:	RELEASE DATE:	CEL:	High End	2105 GRACY FARMS LANE AUSTIN, TEXAS 78758 (512) 836-2244 FAX (512) 832-4128 http://www.highend.com	
DIMENSIONAL TOLERANCES: 0 PLACE DECIMAL: ±0.38 1 PLACE DECIMAL: ±0.25 2 PLACE DECIMALS: ±0.13 ANGLES: ±0.5°	ENG:	DA:			
FOR PAINTED PARTS REFER TO: ENG. SPEC. MANUAL W1-0592	DISCRIPTION: ASST. MOTOR W/SENSOR, TOP BOX DL2	DRW:			
MIN. DRAFT	MATERIAL: CHARTEED	FINISH:			
W/IN. RADII	INTERPRET DIMENSIONS PER ASME Y14.5M-1994 THIRD ANGLE PROJECTION DIMENSIONS ARE IN MILLIMETERS	SI METRIC A1	PART NO. <b>INTERNAL</b>	DRAWING NO. <b>DBA028</b>	REV.
FLATNESS		DO NOT SCALE	SCALE: 1:600	SHEET: 1 OF 1	
THICKNESS					
VOLUME					

**PROPRIETARY NOTICE:**

THIS DOCUMENT CONTAINS CONFIDENTIAL AND PROPRIETARY INFORMATION OF HIGH END SYSTEMS INC., (ALSO DBA LIGHTWAVE RESEARCH) AND IS GIVEN TO THE RECEIVER IN CONFIDENCE. THE RECEIVER ACCEPTS AND AGREES THAT, EXCEPT AS AUTHORIZED BY HIGH END SYSTEMS, THE RECEIVER WILL NOT PERMIT THE USE OF THE DOCUMENT OR ANY COPY THEREOF OR THE INFORMATION THEREIN, WILL NOT COPY OR PERMIT COPYING THE DOCUMENT WILL NOT DISCLOSE TO OTHERS EITHER THE DOCUMENT OR THE INFORMATION THEREIN, AND WILL UPON COMPLETION OF THE NEED TO RETAIN THE DOCUMENT, OR UPON DEMAND, RETURN THE DOCUMENT WITHOUT RETAINING ANY OF THE INFORMATION CONTAINED THEREIN IN ANY FORM WHATSOEVER.



**FOR SERVICE  
REFERENCE ONLY**

ITEM NO.	QTY.	FILENAME	PART NO.	DESCRIPTION
15	1	BLOCK_TERM3-TAB_4-POLE	90406151	TERMINAL BLOCK, 4 POS X 3 40 AMP CHAS MNT
14	2	SCREWMS4010BZP	91010510	SCREW, M5 BOTTOM 10 BZ W/PATCH
13	4	SCREWMAC06BZ	91000406	SCREW, M4 SOCKET 06 BZ SEMS
12	1	SCREW2AC04BZX	91050204	SCREW, M2 SOCKETCAP 04 BZ
11	2	SCREW10-14PPF500	90709062	SCREW, #10 PHIL PAN 1/2 PLASTITE S2
10	1	FST01	99070003	POWER SUPPLY, SWITCHING 40 V MOTOR W/PEC
9	2	NUTM6KEP	91201206	NUT, M6 KEPS
8	2	NUTM4KEP	91201204	NUT, M4 KEPS
7	1	DB108	99260457	MOUNT, POWER SUPPLY, DL2
6	1	LABEL_FUSE_WARNING	99310417	LABEL, FUSE WARNING DL2
5	1	FUSEX20_5A-SLOW	90403012	FUSE, 5 AMP SLOW
4	1	LINE_FILTER_3AMP	90601055	FILTER, RFI 3A - 2X LOAD 2X LINE
3	1	CAT715	80270025	FAN ASSY, 12 V, 80MM SQ, X 25MM DLI
2	1	CLIP_50_PUSH_ON_NY	90701271	CLIP, WIRE .50 DIA, PUSH MOUNT
1	1	FUSE_HOLDER5X20	90412018	BLOCK, FUSE, SINGLE 5 X 20,

**BILL OF MATERIALS**

UNLESS OTHERWISE SPECIFIED:	RELEASE DATE:	CE:	 2105 GRACY FARMS LANE AUSTIN, TEXAS 78758 (512) 836-2244 FAX (512) 832-4128 http://www.highend.com	
DIMENSIONAL TOLERANCES:	ENG:	DA:		
0 PLACE DECIMAL = ±0.38	ME:	DRW:		
1 PLACE DECIMAL = ±0.25	MG:			
2 PLACE DECIMALS = ±0.13	ANGLES = ±0.5°			
FOR PAINTED PARTS REFER TO ENG. SPEC. MANUAL W1-0582	DESCRIPTION:	TRAY ASM, POWER SUPPLY, DL2		
MIN. DRAFT	MATERIAL:	FINISH:		
W/O. DRD11				
FLATNESS	INTERPRET DIMENSIONS PER		PART NO. INTERNAL <b>DBS019</b>	DRAWING NO. <b>DBS019</b>
THICKNESS	ASME Y14.5M-1994			
VOLUME	THIRD ANGLE PROJECTION	DIMENSIONS ARE IN MILLIMETERS		REV.
				SHEET: 1 OF 1

**PROPRIETARY NOTICE:**  
 THIS DOCUMENT CONTAINS CONFIDENTIAL AND PROPRIETARY INFORMATION OF HIGH END SYSTEMS INC., (ALSO DBA LIGHTWAVE RESEARCH) AND IS GIVEN TO THE RECEIVER IN CONFIDENCE. THE RECEIVER ACCEPTS AND AGREES THAT, EXCEPT AS AUTHORIZED BY HIGH END SYSTEMS, THE RECEIVER WILL NOT PERMIT THE USE OF THIS DOCUMENT OR ANY COPY THEREOF OR THE INFORMATION THEREIN, WILL NOT COPY OR PERMIT COPYING THE DOCUMENT WILL NOT DISCLOSE TO OTHERS EITHER THE DOCUMENT OR THE INFORMATION THEREIN, AND WILL UPON COMPLETION OF THE NEED TO RETAIN THE DOCUMENT, OR UPON DEMAND, RETURN THE DOCUMENT WITHOUT RETAINING ANY OF THE INFORMATION CONTAINED THEREIN IN ANY FORM WHATSOEVER.